

RAKE (PARAPET)

DF0010 - RAKE PARAPET WALL ABOVE

DF0020 - RAKE PARAPET MASONRY WALL

DF0030 - RAKE PARAPET RAFTER IN HIGH BLDG

DF0040 - RAKE PARAPET RAFTER IN LOW BLDG

DF0045 - RAKE PARAPET EXISTING LOWER

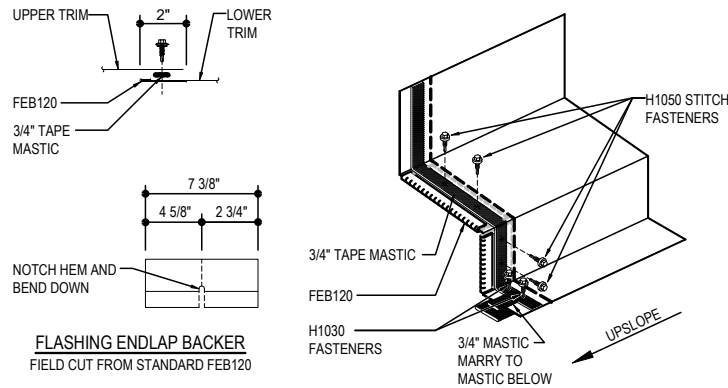
DF0050 - RAKE PARAPET NON-STRUCTURAL

DF0010 - RAKE PARAPET WALL ABOVE

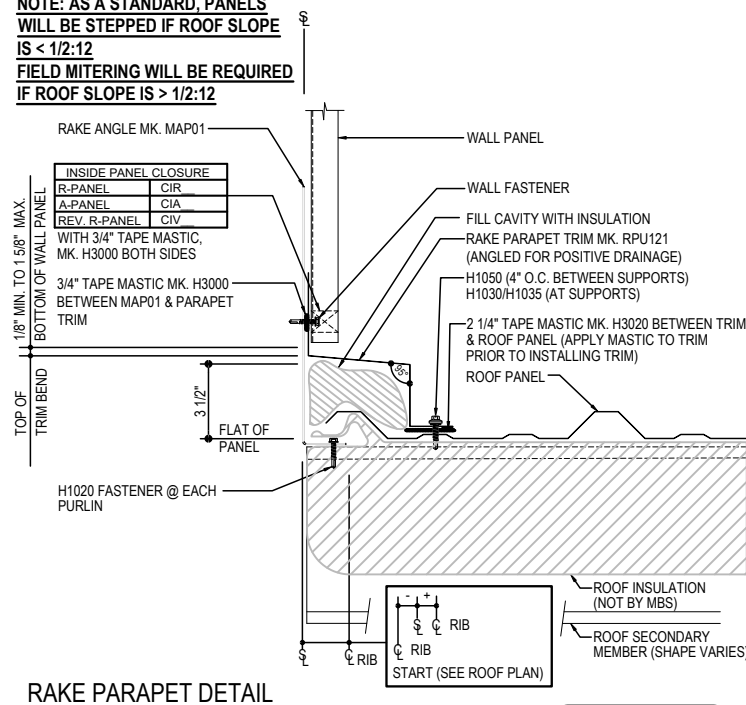
[Download the DWG file by clicking here.](#)

PARAPET LAP & FLASHING BACKER

SLIDE FIELD CUT SECTION OF FLASHING ENDLAP BACKER ONTO THE LOWER TRIM PIECE AS SHOWN BELOW. PLACE TAPE MASTIC NEXT TO HEM OF THE BACKER (NOT ON TOP OF HEM). FASTEN LAP WITH STITCH FASTENERS. ROOF STRUCTURAL FASTENERS SHOULD BE USED TO FASTEN THROUGH PANEL FLAT INTO RAKE ANGLE.



NOTE: AS A STANDARD, PANELS WILL BE STEPPED IF ROOF SLOPE IS < 1/2:12
FIELD MITERING WILL BE REQUIRED IF ROOF SLOPE IS > 1/2:12



RAKE PARAPET DETAIL

WITH R-Panel ROOF & WALL PANEL
SEE WALL SHEETING ERECTION NOTES FOR WALL PANEL FASTENER LOCATIONS

DF0010

Detailer Notes:

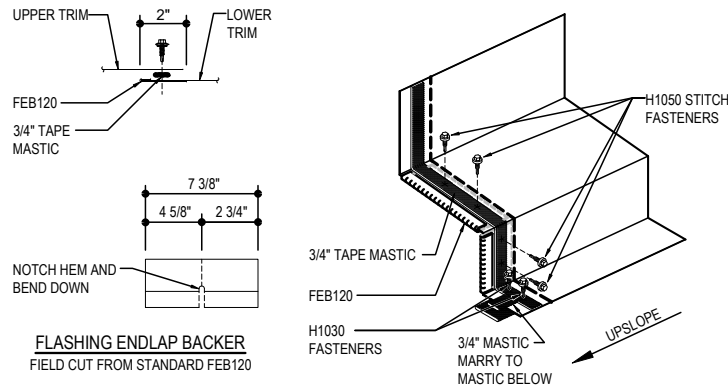
- 1) INSIDE WALL PANEL CLOSURES ARE ALWAYS PROVIDED AS A STANDARD.

DF0020 - RAKE PARAPET MASONRY WALL

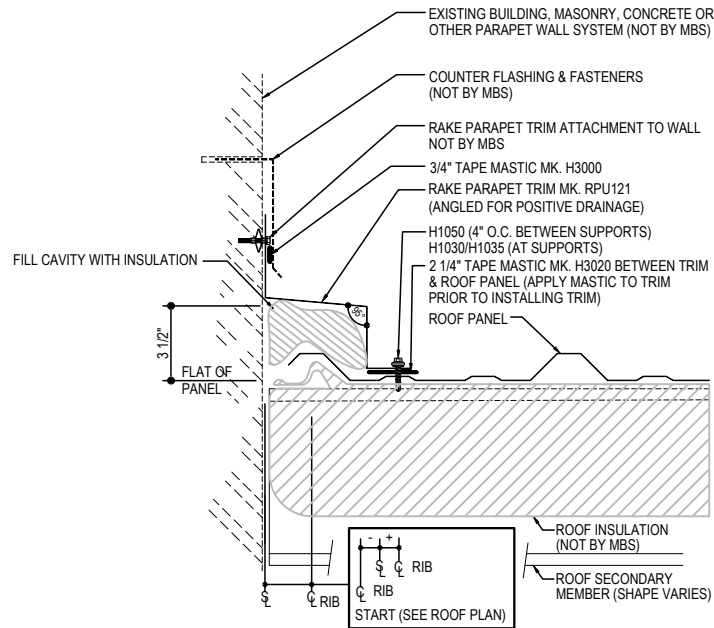
[Download the DWG file by clicking here.](#)

PARAPET LAP & FLASHING BACKER

SLIDE FIELD CUT SECTION OF FLASHING ENDLAP BACKER ONTO THE LOWER TRIM PIECE AS SHOWN BELOW. PLACE TAPE MASTIC NEXT TO HEM OF THE BACKER (NOT ON TOP OF HEM). FASTEN LAP WITH STITCH FASTENERS. ROOF STRUCTURAL FASTENERS SHOULD BE USED TO FASTEN THROUGH PANEL FLAT INTO RAKE ANGLE.



FLASHING ENDLAP BACKER
FIELD CUT FROM STANDARD FEB120



RAKE PARAPET DETAIL

WITH WALL NOT BY MBS

DF0020

Detailer Notes:

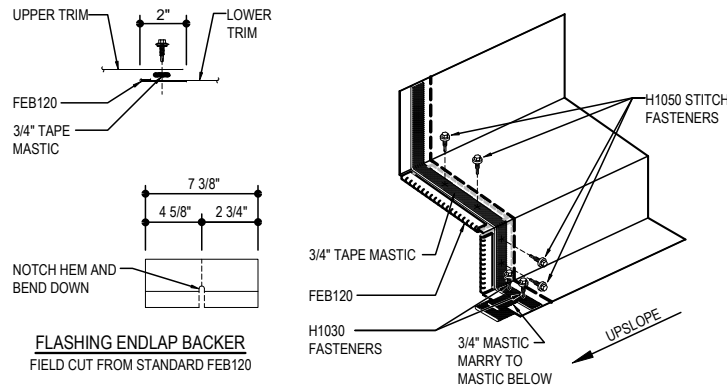
- 1) N/A

DF0030 - RAKE PARAPET RAFTER IN HIGH BLDG

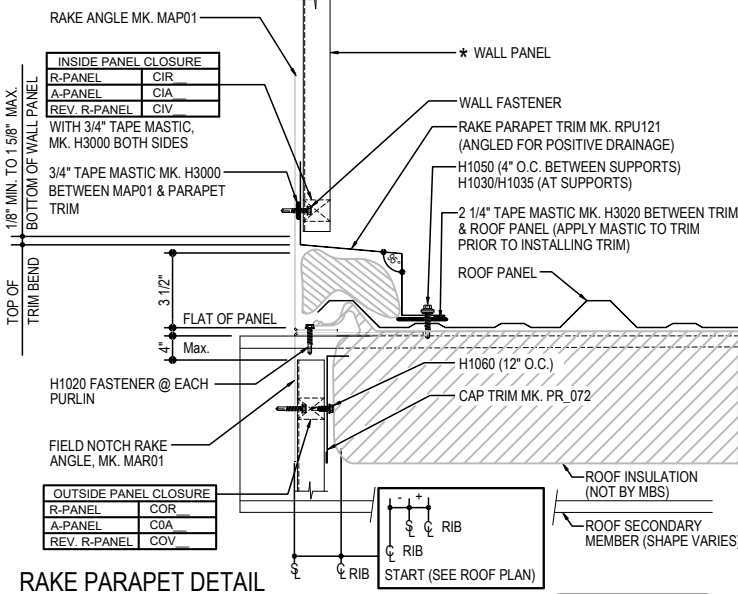
[Download the DWG file by clicking here.](#)

PARAPET LAP & FLASHING BACKER

SLIDE FIELD CUT SECTION OF FLASHING ENDLAP BACKER ONTO THE LOWER TRIM PIECE AS SHOWN BELOW. PLACE TAPE MASTIC NEXT TO HEM OF THE BACKER (NOT ON TOP OF HEM). FASTEN LAP WITH STITCH FASTENERS. ROOF STRUCTURAL FASTENERS SHOULD BE USED TO FASTEN THROUGH PANEL FLAT INTO RAKE ANGLE.



NOTE: AS A STANDARD, PANELS WILL BE STEPPED IF ROOF SLOPE IS < 1/2:12
FIELD MITERING WILL BE REQUIRED IF ROOF SLOPE IS > 1/2:12



RAKE PARAPET DETAIL

WITH R-Panel ROOF & WALL PANEL
SEE WALL SHEETING ERECTION NOTES FOR WALL PANEL FASTENER LOCATIONS

DF0030

Detailer Notes:

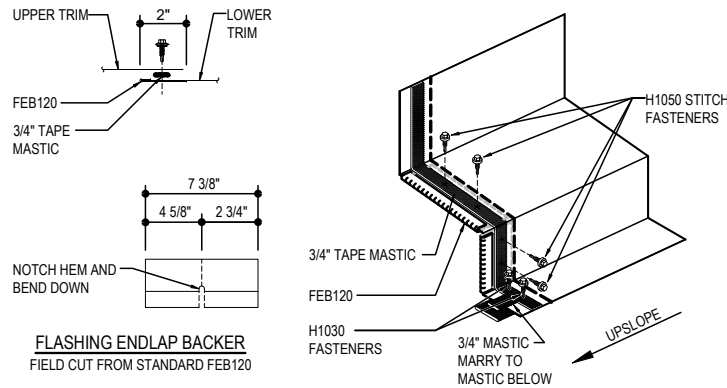
- 1) INSIDE WALL PANEL CLOSURES ARE ALWAYS PROVIDED AS A STANDARD.
- 2) OUTSIDE WALL PANEL CLOSURE ARE OPTIONAL FOR LOWER PANEL. TURN OFF OUTSIDE CLOSURE LAYER IF NOT REQUIRED.

DF0040 - RAKE PARAPET RAFTER IN LOW BLDG

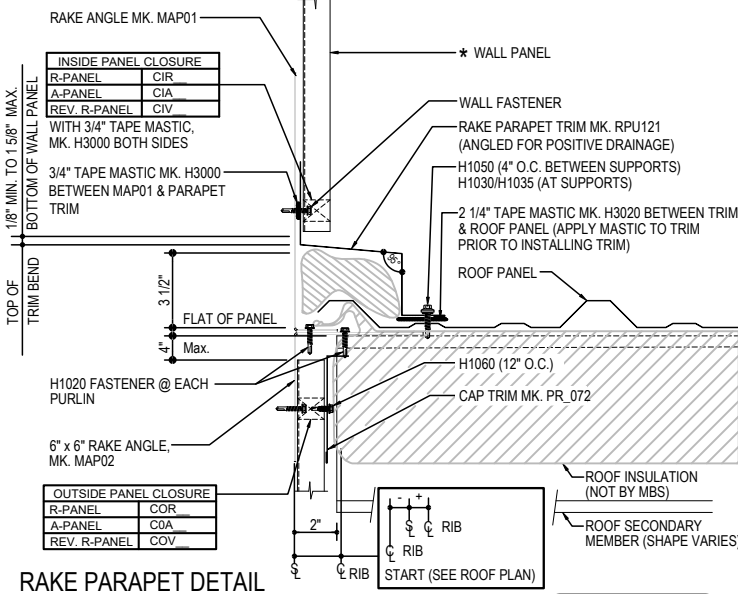
[Download the DWG file by clicking here.](#)

PARAPET LAP & FLASHING BACKER

SLIDE FIELD CUT SECTION OF FLASHING ENDLAP BACKER ONTO THE LOWER TRIM PIECE AS SHOWN BELOW. PLACE TAPE MASTIC NEXT TO HEM OF THE BACKER (NOT ON TOP OF HEM). FASTEN LAP WITH STITCH FASTENERS. ROOF STRUCTURAL FASTENERS SHOULD BE USED TO FASTEN THROUGH PANEL FLAT INTO RAKE ANGLE.



NOTE: AS A STANDARD, PANELS WILL BE STEPPED IF ROOF SLOPE IS < 1/2:12
FIELD MITERING WILL BE REQUIRED IF ROOF SLOPE IS > 1/2:12



RAKE PARAPET DETAIL
WITH R-Panel ROOF & WALL PANEL
SEE WALL SHEETING ERECTION NOTES FOR WALL PANEL FASTENER LOCATIONS

DF0040

Detailer Notes:

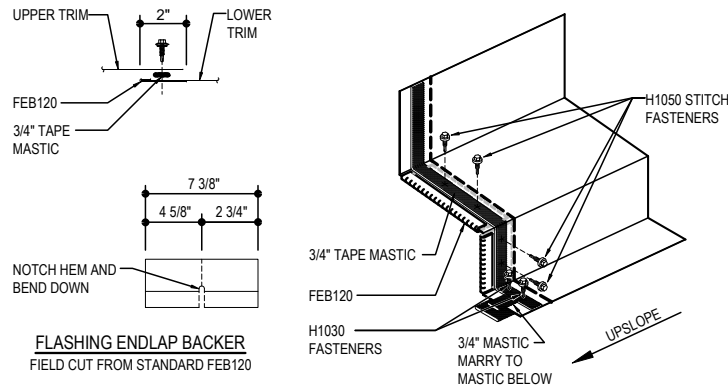
- 1) INSIDE WALL PANEL CLOSURES ARE ALWAYS PROVIDED AS A STANDARD.
- 2) OUTSIDE WALL PANEL CLOSURE ARE OPTIONAL FOR LOWER WALL PANEL. TURN OFF OUTSIDE CLOSURE LAYER IF NOT REQUIRED.

DF0045 - RAKE PARAPET EXISTING LOWER

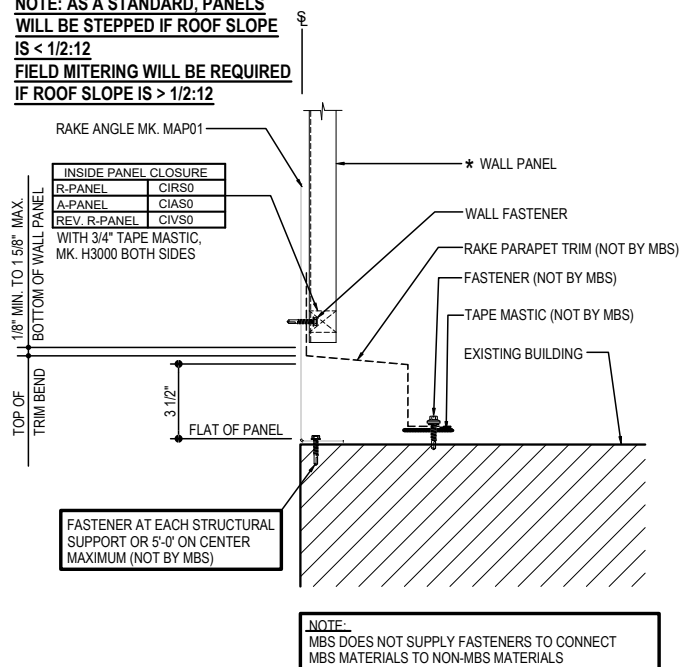
[Download the DWG file by clicking here.](#)

PARAPET LAP & FLASHING BACKER

SLIDE FIELD CUT SECTION OF FLASHING ENDLAP BACKER ONTO THE LOWER TRIM PIECE AS SHOWN BELOW. PLACE TAPE MASTIC NEXT TO HEM OF THE BACKER (NOT ON TOP OF HEM). FASTEN LAP WITH STITCH FASTENERS. ROOF STRUCTURAL FASTENERS SHOULD BE USED TO FASTEN THROUGH PANEL FLAT INTO RAKE ANGLE.



**NOTE: AS A STANDARD, PANELS
WILL BE STEPPED IF ROOF SLOPE
IS < 1/2:12
FIELD MITERING WILL BE REQUIRED
IF ROOF SLOPE IS > 1/2:12**



RAKE PARAPET DETAIL

ABOVE EXISTING BUILDING
SEE WALL SHEETING ERECTION NOTES FOR WALL PANEL FASTENER LOCATIONS

DF0045

Detailer Notes:

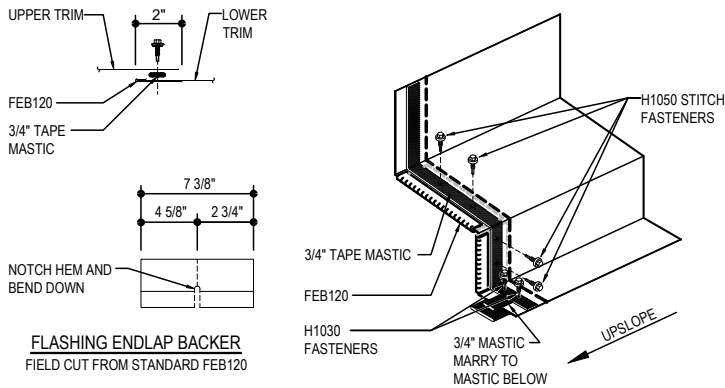
- 1) INSIDE WALL PANEL CLOSURES ARE ALWAYS PROVIDED AS A STANDARD. TURN OFF INSIDE CLOSURE LAYER IF NOT REQUIRED.

DF0050 - RAKE PARAPET NON-STRUCTURAL

[Download the DWG file by clicking here.](#)

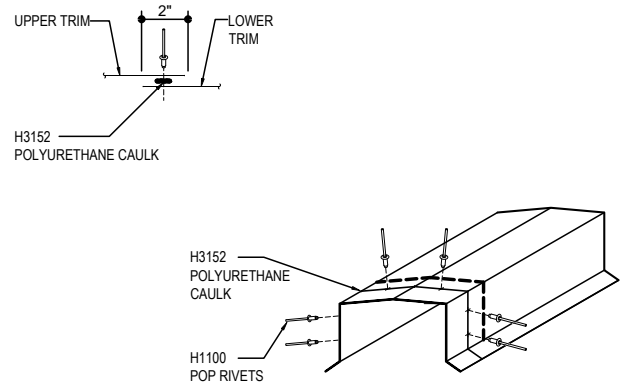
PARAPET LAP & FLASHING BACKER

SLIDE FIELD CUT SECTION OF FLASHING ENLAP BACKER ONTO THE LOWER TRIM PIECE AS SHOWN BELOW. PLACE TAPE MASTIC NEXT TO HEM OF THE BACKER (NOT ON TOP OF HEM). FASTEN LAP WITH STITCH FASTENERS. ROOF STRUCTURAL FASTENERS SHOULD BE USED TO FASTEN THROUGH PANEL FLAT INTO RAKE ANGLE.



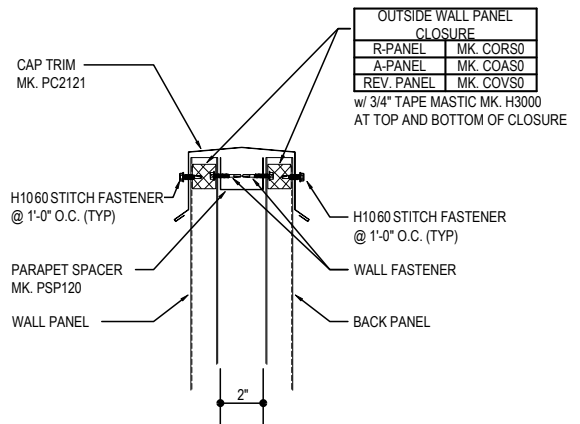
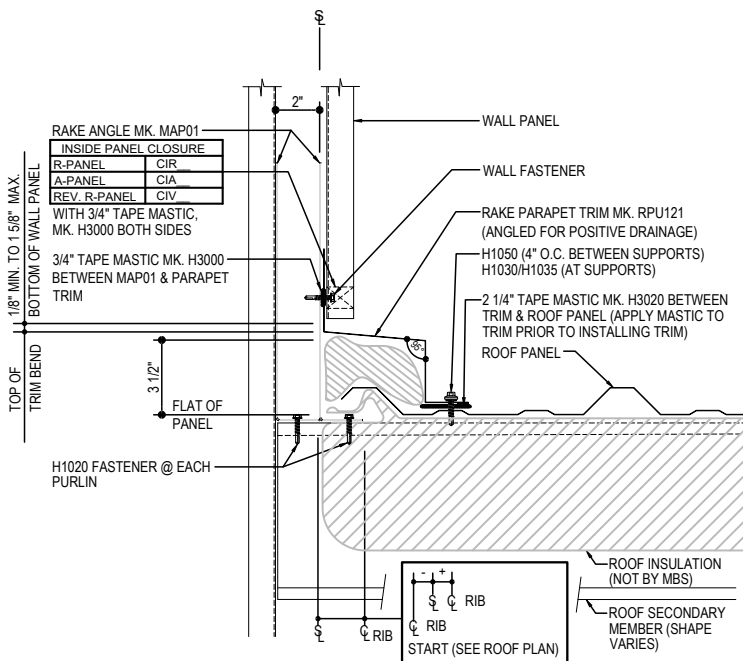
CAP TRIM LAP

APPLY CONTINUOUS BEAD OF CAULK 1" FROM END OF TRIM DOWN PROFILE OF TRIM. FASTEN LAP WITH POP RIVETS AS SHOWN.



**NOTE: AS A STANDARD, PANELS
WILL BE STEPPED IF ROOF SLOPE
IS < 1/2:12**

**FIELD MITERING WILL BE REQUIRED
IF ROOF SLOPE IS > 1/2:12**



RAKE PARAPET - NON-STRUCTURAL DETAIL

WITH R-PANEL ROOF & WALL PANEL
SEE WALL SHEETING ERECTION NOTES FOR WALL PANEL FASTENER LOCATIONS

DF0050

Detailer Notes:

- 1) PANEL CLOSURES ARE ALWAYS PROVIDED AS A STANDARD AT THE BACK PANEL.
- 2) OUTSIDE WALL PANEL CLOSURE ARE OPTIONAL ON EXTERIOR. TURN OFF OUTSIDE CLOSURE LAYER IF NOT REQUIRED.